

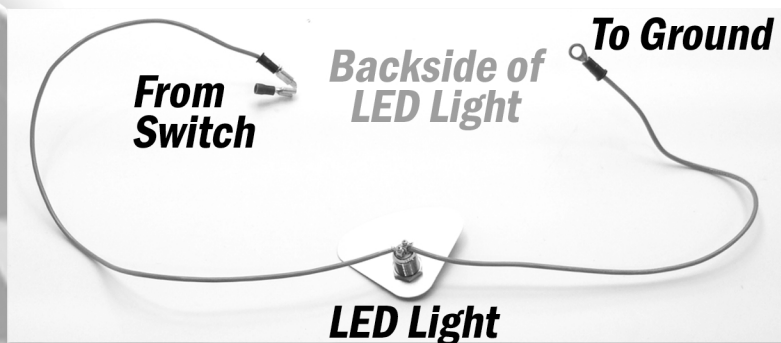
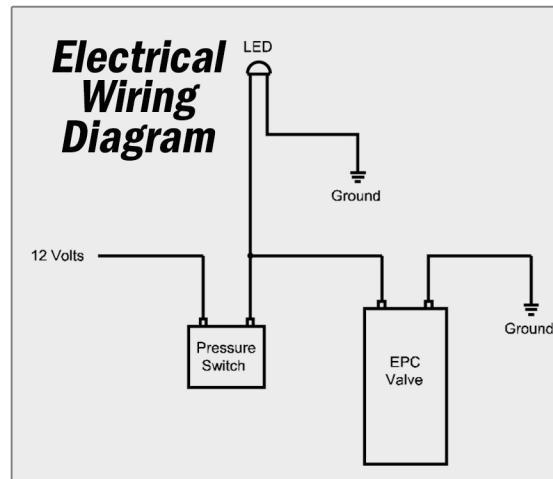
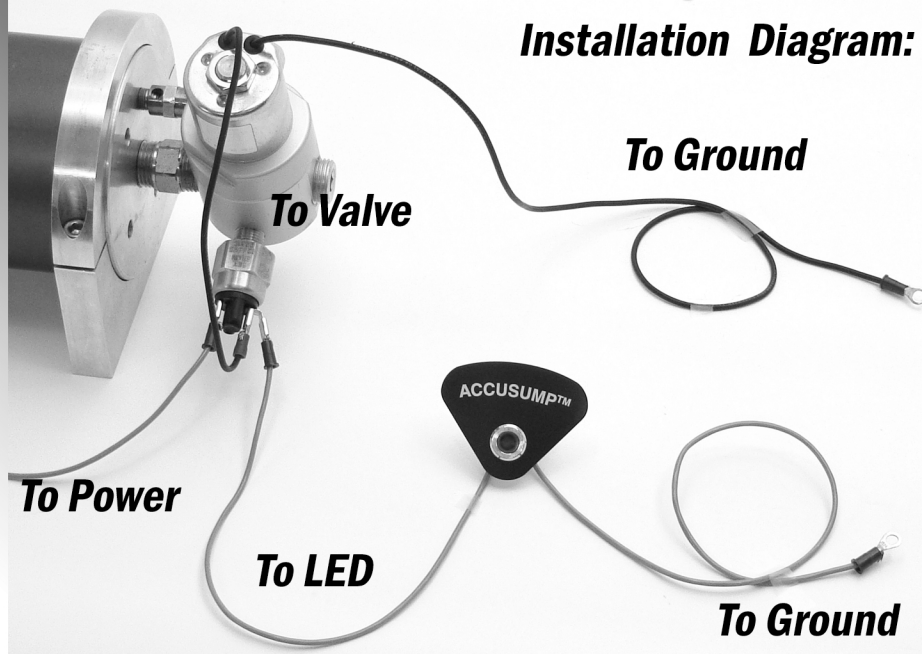


232 Branford Rd.
North Branford, CT 06471
Orders: 203-481-9460
Tech: 203-481-9943
Fax: 203-481-9641

Accusump Indicator LED Install Notes

24-295 Accusump Indicator LED Light Kit

Installation Diagram:



Note: There are extra connectors included in this kit.

1. Remove negative battery terminal connection.
2. Remove connection from the valve to the pressure switch.
3. Install dual spade connector to the pressure switch side.
4. Re-attach wire from the valve to the pressure switch and add wire to the LED Light.
5. Be sure to assemble the LED Light and plate prior to wiring.
6. Attach the other side of the LED to ground.
7. Re-attach negative battery terminal connection.

www.CantonRacingProducts.com